

## **Exhibit 18**

### **Lighting Shrouds**



# M-250A2 POWR/DOOR® LUMINAIRE WITH CUTOFF OPTICS



## APPLICATIONS

- For residential streets, access roads, parking lots where light trespass could be a problem

## SPECIFICATION FEATURES

- Powr/Module ballast assembly
- Filtered optics
- Universal two-bolt slipfitter
- Die-cast aluminum housing with polyester powder gray paint finish
- Street Side Adjustable E39 mogul base socket standard where lamp is available in mogul base (E26 Medium base otherwise)
- ALGLAS® finish on reflector
- No-tool PE receptacle
- Plug-in ignitor
- True 90° cutoff—no light above 90° (meets RP8-2000 for full cutoff)
- External stainless steel bail latch
- Ⓢ/Ⓣ listed for wet location available as an option
- Plastic pest guard standard (not required for 2 in. pipe)

## ORDERING NUMBER LOGIC

M2AC	15	S	1	N	2	G	MC3	1	F
PRODUCT IDENT	WATTAGE	LIGHT SOURCE	VOLTAGE	BALLAST TYPE	PE FUNCTION	LENS TYPE	IES DISTRIBUTION TYPE	FILTER	OPTIONS
XXXX	XX	X	X	X	X	X	XXX	X	XXX
M2AC = M-250A2 with Cutoff Optics ★	05 = 50 07 = 70 10 = 100 15 = 150 (55V) 17 = 175 20 = 200 21 = 100/150 (55V) 25 = 250 71 = 70/100 NOTE: Dual wattage connected for lower wattage	E = Energy Act Compliant Pulse MH (EPMH) S = HPS P = PMH Standard: Lamp not included.	60Hz 0 = 120/208/ 240/277 Multivolt 1 = 120 2 = 208 3 = 240 4 = 277 5 = 480 7 = 120X240 8 = 240V Ballast 120V PE Receptacle not reconnect- able D = 347 F = 120X347 T = 220 50Hz 6 = 220 R = 230 Y = 240 NOTE: Dual voltage connected for lower voltage	See Ballast Selection Table A = Autoreg G = Mag-Reg with Grounded Socket Shell H = HPF Reactor or Lag J = CWI M = Mag-Reg N = NPF Reactor or Lag P = CWI with Grounded Socket Shell S = Series (in Top Housing)	1 = None 2 = PE Receptacle NOTE: Receptacle connected same voltage as unit except as noted. Order PE Control separately.	See Photometric Selection Table A = Acrylic Clear Globe G = Flat Glass ★ L = Polycarbon- ate Clear Globe S = Sag Glass Clear Globe NOTE: 150 watt Maxi- mum with Acrylic or Polycarbonate Clear Globes. ★ = Previously IESNA Full Cutoff Optics	See Photometric Selection Table S = Short M = Medium C = Cutoff ★ 2 = Type II 3 = Type III ★ = Previously IESNA Full Cutoff Optics	1 = Fiber gasket 2 = Charcoal with elasto- mer gasket	F = Fusing (Not available with multivolt or dual voltage) J = Line Surge Protector, Expulsion Type U = Ⓢ/Ⓣ listed (all HPS and up to 175W MH) with glass or polycarbonate (60Hz only)



## PHOTOMETRIC SELECTION TABLE

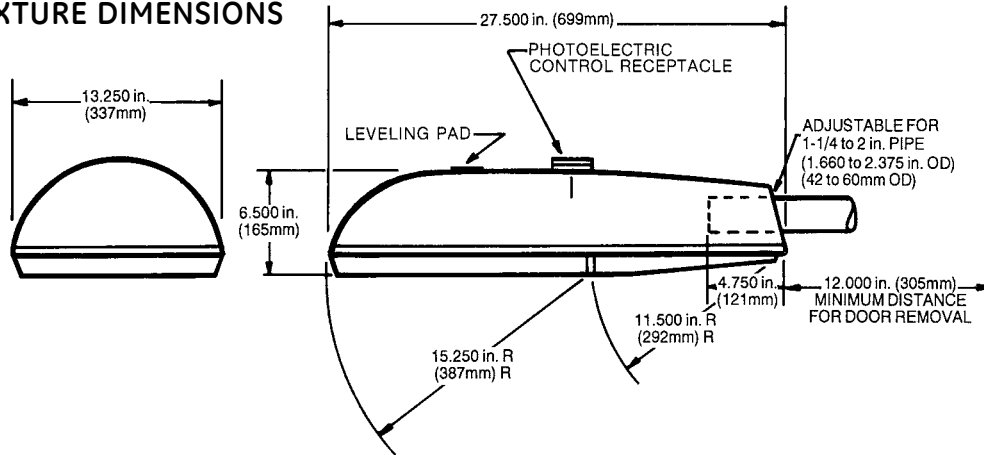
Wattage	Light Source	Lens Type	IES Distribution Type Photometric Curve Number (Socket Position) All light sources are clear unless otherwise indicated.		
			MC2	MC3	SC2
50, 70, 100, 150 (55v)	HPS	Clear globe, acrylic or Polycarbonate	N/A	177287 (1A)	N/A
50	HPS	Clear globe, glass	452543 (2CL)	452544 (1CL)	N/A
70	HPS	Clear globe, glass	452545 (3CL)	452546 (1CL)	N/A
100	HPS	Clear globe, glass	452547 (2CL)	452548 (1CL)	N/A
150 (55v)	HPS	Clear globe, glass	452549 (2CL)	452550 (1CL)	N/A
50, 70, 100, 150 (55v)	HPS	Glass, flat*	177286 (2CL)	177285 (1CL)	N/A
200	HPS	Clear globe, glass	452551 (2CH)	452552 (2DL)	N/A
250	HPS	Clear globe, glass	N/A	452553 (2CH)	N/A
200, 250	HPS	Glass, flat*	177303 (2DH)	177304 (1DH)	N/A
175, 250	EPMH	Glass, flat*	N/A	N/A	177299 (1B)
**100, 150	PMH	Glass, flat*	452707	451435 (2CL)	453603

NOTE: N/A=Not Available  
PMH—Contact Factory  
★Meets RP8-2000 for full cutoff with flat glass  
\*\*Medium Base Socket

GE Lighting Systems, Inc.  
www.gelightingssystem.com

# M-250A2 POWR/DOOR® LUMINAIRE WITH CUTOFF OPTICS

## FIXTURE DIMENSIONS



## DATA

Approximate Net Weight	20-30 lbs	9-14 kgs
Effective Projected Area		
Flat Glass Unit	0.9 sq. ft. max	0.08 sq. M max
Clear Acrylic Globe Unit	1.0 sq. ft. max	0.09 sq. M max
Suggested Mounting Height	20-40 ft.	6-12 M

## REFERENCES

See Page R-48 for start of Accessories.  
 See Page R-52 for Explanation of Options and Other Terms Used.  
 See Pole and Bracket Section Page P-2 for pole selection.

## BALLAST SELECTION TABLE

Wattage	Light Source	Ballast Type/Voltage														
		60Hz									50Hz					
		Multi-volt	120	208	240	277	480	120X240	347,120X347	240/120 PER	220	220	230	240		
50	HPS	H,N	H,N	H,N	H,N	H,N	H,N	H,N	H,N	H,N	H,N	N/A	N/A	N/A	N/A	
70, 100, 150 (55V)	HPS	A,H,N	A,G,H,M,N,P	A,G,H,M,N	A,G,H,M,N,P	A,G,H,M,N	G,M	G,M	G*	G,M*,N	G,M,N	N/A	N/A	H,M,N	H	M††
100/150 (55V)	HPS	N/A	H,N	N/A	N/A	N/A	N/A	N/A	N/A	N/A	N/A	N/A	N/A	N/A	N/A	N/A
200	HPS	A,J,P	A,H,N,P	A,H,N,P	A,H,N,P	A,P	A	A,P	A	A,H,N	N/A	N/A	N/A	N/A	N/A	
250	HPS	A,J,P	A,H,N,P	A,H,N,P	A,H,N,P	A,P	A,P	A,J,P	A,P	A,H,N	H	A,H,N	H	A,H	A,H	
175	EPMH	A	A	A	A	A	A	A	N/A	A	N/A	N/A	N/A	N/A	N/A	
100**	PMH	H,N	H,N	H,N	H,N	H,N	H,N	H,N	H,N	H,N	N/A	N/A	N/A	N/A	N/A	
150**	PMH	N/A	A,H	H	H	H	N/A	H	H	H	N/A	N/A	N/A	N/A	N/A	
250	EPMH	A	A	A	A	A	A	A	N/A	A	N/A	N/A	N/A	N/A	N/A	

NOTE: N/A=Not Available  
 ††150(55V) only  
 \*Not available in 120X347 volt  
 \*\*\*Medium Base Socket

## M2AC — SUGGESTED CATALOG ORDERING NUMBERS

Catalog Number	Wattage	Light Source	Voltage (60 Hz)	Ballast Type	Refractor Type	Photometric Distribution
M2AC10S1N2GMC21	100	HPS	120	NPF Reactor	Glass	MC2
M2AC15S1N2GMC21	150	HPS	120	NPF Reactor	Glass	MC2
M2AC25S0A2GMC31	250	HPS	Multivolt	Auto-Regulator	Glass	MC3

All GE suggested catalog ordering numbers come with PE receptacle. PE control must be ordered separately. Order and install SCCL-PECTL if no PE is desired.  
 Multivolt ballasts can be for either 120, 208, 240, or 277 volt incoming power supply.

